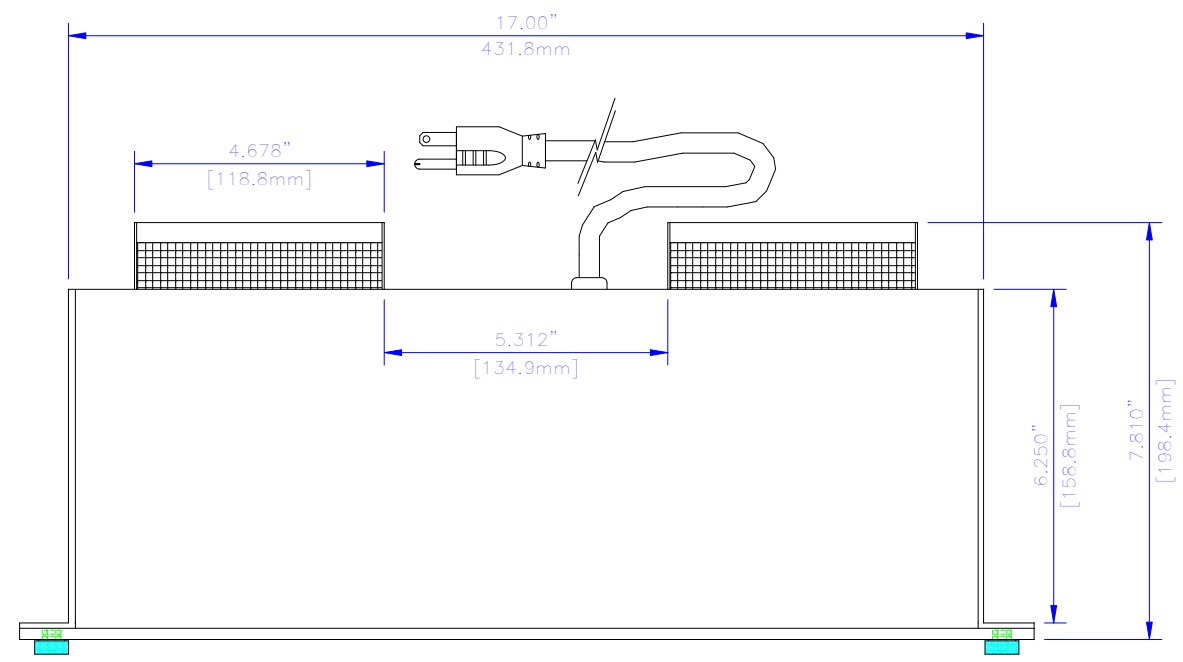
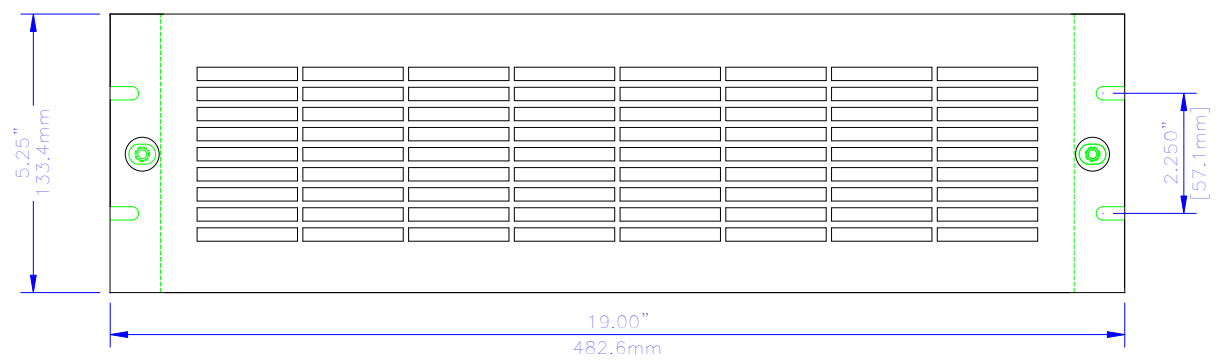


NOTES

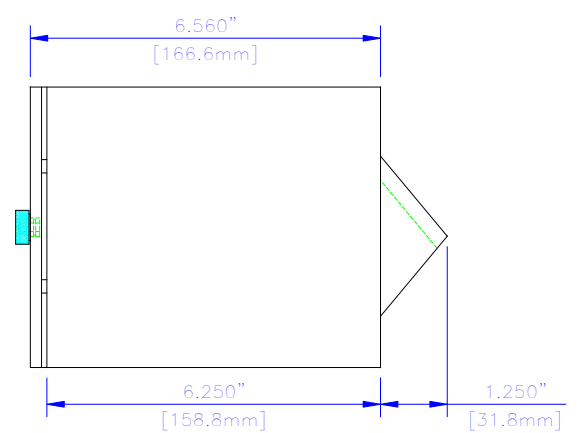
- HB3250A SPECS. – AIRFLOW 250 CFM  
 – 3150 RPM  
 – 115V, UR/CSA BALL BEARING MOTOR  
 – 6' SJTW CORD  
 – PANEL HEIGHT 5.25"(3U)  
 – AMBIENT TEMP. –20°F to 250°F



TOP VIEW



FRONT VIEW



SIDE VIEW

THIS DRAWING IS PROPRIETARY INFORMATION OF HAMMOND MFG.CO.LTD. NOT TO BE USED WITHOUT EXPRESSED WRITTEN PERMISSION OF HAMMOND MFG.CO.LTD.

Re	EC	Description	Dat	B

Unless otherwise specified dimensions are in inches  
 Tolerances are:  
 .X ± .1  
 .XX ± .01  
 .XXX ± .020  
 .XXXX ± .0005  
 Holes ± .0050  
 Angles ± .5°



Dw	R.B
Dat	12/01/04
Ch	---
Mat'	
Sheet	1 of 1

**HAMMOND MANUFACTURING CO. LTD.**  
 Electronics Group, Waterloo, Ont. – 505 Dutton Drive

**HB3250A**  
 3U Blower Unit

Part# **HB3250A** Dwg **HB3250A**